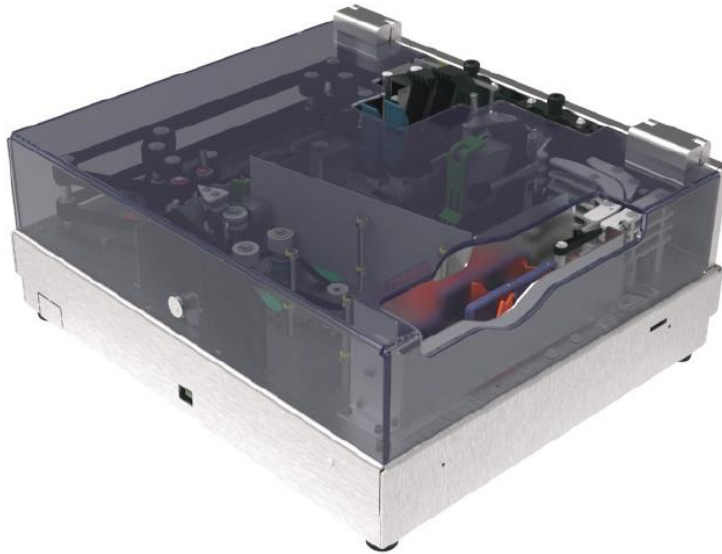


CBD 500

CBD 500

DESKTOP CHEQUE PRINTER



- CBD 500 is a cheque printer capable of delivering fully customizable cheques, as a single sheet or up to 50 cheques.
- QR code up to 1" printing capability.
- Cheques are printed and collected in the collection area for later stapling and binding.
- Cheques can be customized thanks to the powerful graphic printing capability of the embedded high resolution monochrome inkjet printing engine built on HP® technology.
- The machine is closed by a top transparent cover with a key lock.



Designed and Manufactured in Italy

Cheque printer CBD 500 is designed specifically for the **production of cheques from "blank" cheques**, containing all background and non variable information, all variable information being printed by the CBD 500 system.

While the cheque production method of yester-years proved efficient by means of outsourcing, innovation & technology have made it possible for financial institutions to re-engineer this process with the aim of achieving maximum operational efficiency.

The CBD 500 is equipped with two feed stations: one for the "blank" cheques, the other for covers, order forms etc.

CBD 500 is able to print personalization **text and graphics** including printing of **QR code** up to 1" size.

The CBD 500 is used in back office solution to simplify the service of the Bank Operators in issuing cheques for their customers.



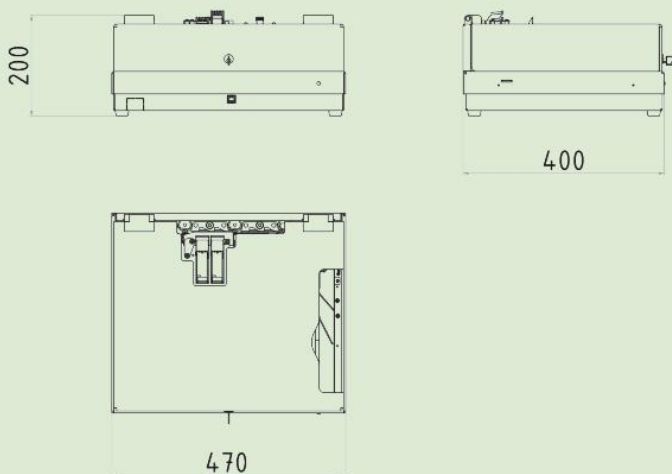
TECHNICAL SPECIFICATIONS

Representative Office: ROTOTYPE S.P.A. Middle East (Branch)
5EA G08, DAFZA Dubai Airport Freezone Dubai
P.O. Box 371016 United Arab Emirates Phone: +971 42991888

ROTOTYPE S.p.A.- HEADQUARTER AND R&D DEPARTMENT
Via F. Bessi, 15- 50041 Calenzano (Florence) Italy
Phone: +39 055 8825444 <https://www.rototype.com>



- Two document feed stations:
Cheques feed station holds up to 500 cheques of paper thickness 0.11 mm. Covers feed station holds up to 100 covers and order forms of paper thickness 0.11 mm. Both feed stations are closed by a transparent lockable cover for security purposes.
- Double feed detection and low paper sensors.
- Text printing: 3 inkjet printheads high resolution (300 dpi) with graphic printing capability with QR code up to 1" size. The height of the printers is manually tunable.
- Rejection bin: for double fed pages. These documents are sent to the rejection bin, having first eventually been invalidated by the printing of "cancelled" thus avoiding all chances of fraud, and shall be removed by manual intervention.



DOCUMENT SIZE

HEIGHT 65- 100 mm
LENGTH 160- 220 mm
WEIGHT 80- 140 g/m²
THICKNESS 0.09- 0.15 mm

CAPACITY

FEEDER CHEQUES: 500 SHEETS
FEEDER COVERS: 100 SHEETS
COLLECTION BIN: 50+ SHEETS
REJECTION BIN: 25+ SHEETS

INTERFACE

USB port
RS232 serial port for graphical resource downloading

POWER REQUIREMENTS

24V external power supply

INTERDEALS
Automation (m) Sdn Bhd

Tel : +603 5635 5787
Fax : +603 5636 3510
Website : <http://www.interdeals.com.my>
E-mail : marketing@interdeals.com.my
Address : No. 2, Jalan PJS 11/7, Bandar Sunway, 47500 Subang Jaya, Selangor Darul Ehsan, Malaysia

